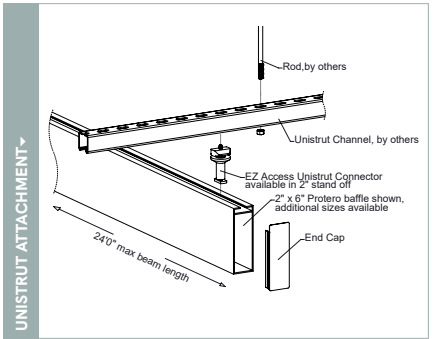
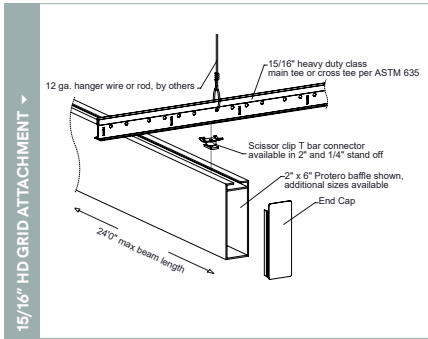
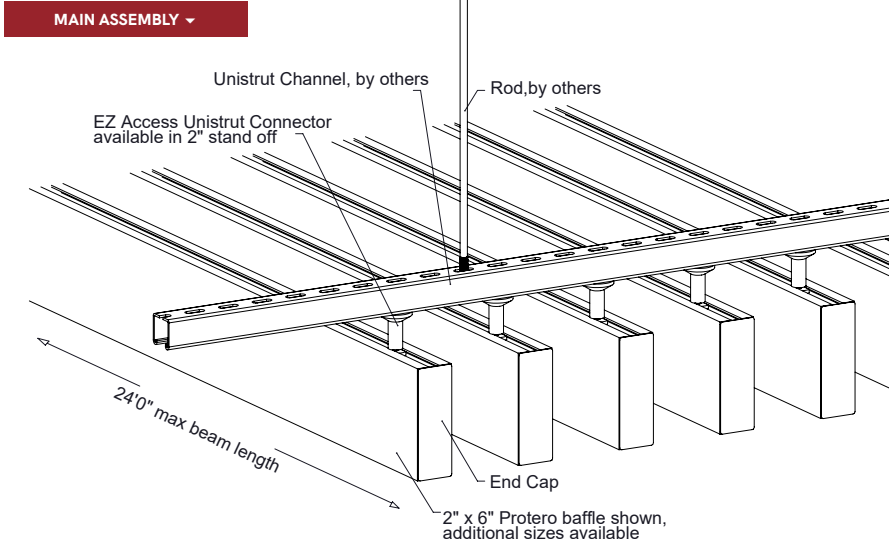


Protero Traditional offers clean linear styling in a high strength, ultra rigid, extruded profile. Design without limits with longer lengths and superior fit and finish.



PHYSICAL DATA

- Material substrate - Aluminum | Extruded
- Thickness .100"
- Fire Performance - Class A: Tested per ASTM E84. Flame Spread Index 25 or less. Smoke Developed Index 50 or less. CAN/ULC S102 surface burning characteristics. Flame Spread Rating 25 or less. Smoke Developed Classification 50 or less.
- Weight - Varies - 1.03 - 1.92 lbs./ln.ft.
- Warranty - One Year Limited
- Seismic areas - Protero has been engineered for use in all seismic areas. Installations may require additional attachment from baffle to suspension bar. Check with local code officials or a licensed engineer for additional requirements.
- Surface Finish - Factory-applied polyester paint. Available in Standard Colors and Wood Look Powder Coated, post-production finishes. Custom colors also available

SUSTAINABILITY

CONTRIBUTES TO LEED® POINTS -

- LEED® BD+C: New Construction v4
 - ▶ MR: Regional Materials
 - ▶ MR: Recycled Content
- LEED® BD+C: Healthcare v4
 - ▶ MR: Design for Flexibility
- LEED ID+C: Commercial Interiors v4
 - ▶ EQ: Low-Emitting Material

- No VOC'S: No added urea-formaldehyde
- EPD 'Environmental Product Declaration' for raw material components
- Recycled Content - up to 80%

LEED® is a registered trademark of the U.S. Green Building Council

FEATURES

- Extruded profiles can be mitered, bent, used horizontally and vertically
- Custom sizes & shapes - At Maxxit custom is what we do best.
 - ▶ Custom shapes & sizes available
 - ▶ Custom lengths up to 24'
- Standard sizes - In addition to custom we also have quick ship standard products available made to order
 - ▶ Lengths - up to 12'
 - ▶ Standard Size - 1-3/8" x 3-3/8"
 - ▶ Standard Size - 1-1/2" x 6"
 - ▶ Standard Size - 2" x 6"
- Unlimited finish options - custom colors, wood looks, films & wood veneers
 - ▶ Plus 17 standard wood look finishes
- Quick ship and expedited shipping
- Lightweight, pre-assembled & easy to install
- Versatile attachment options for Unistrut®, 15/16" HD Grid and Cable hung applications
- Easy plenum access - attachment hardware allows baffles to slide for easy plenum access and adjustment during installation
- Cleanable using CDC recommended and EPA-approved disinfectants for fog, spray & wipe



WOOD LOOK FINISHES

Standard Powder Coated Paint Finishes (Interior & Exterior) Formaldehyde-Free



Custom Colors

FIND YOUR PERFECT MATCH

At Maxxit we have a passion for finishes; wood, metallic, oil rubbed, whatever your challenge is we can match it!



Send us a color sample so we can quickly provide a color match.

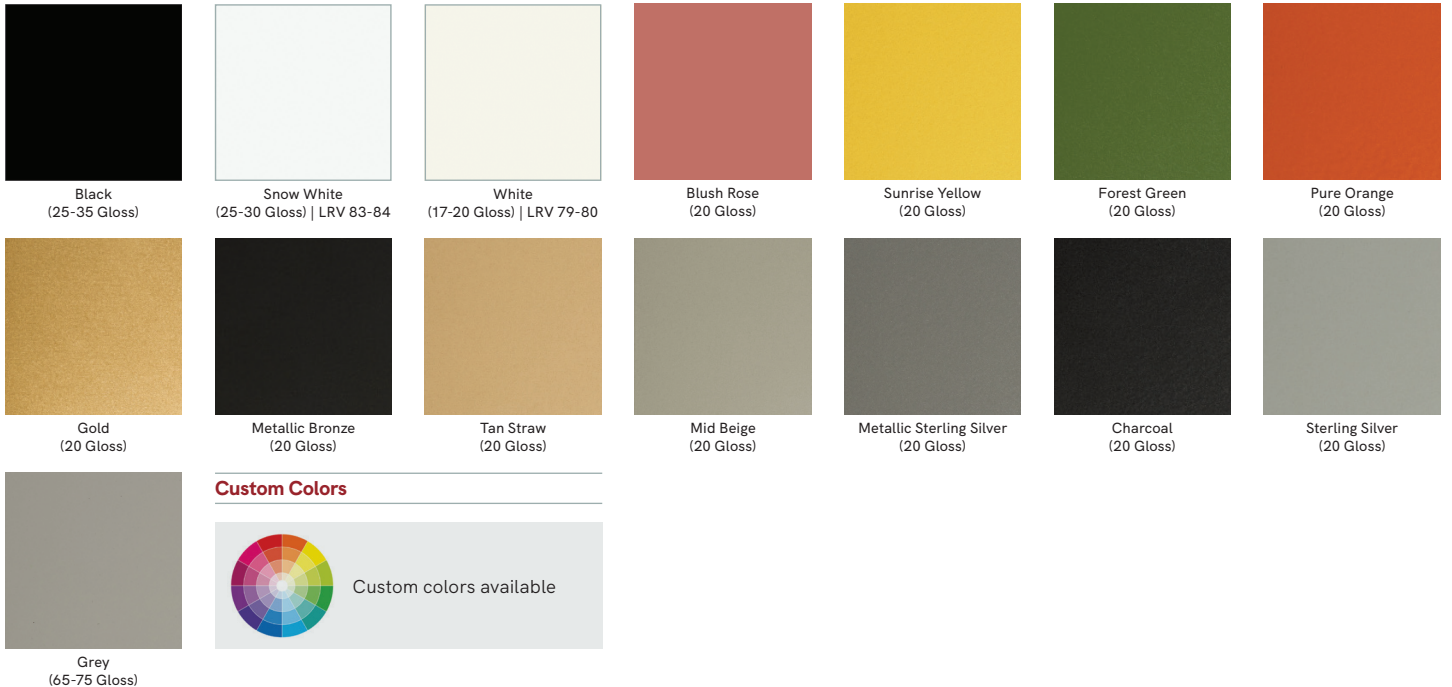
Standard Laminated (Film) Finishes (interior only). Formaldehyde-free



STANDARD COLORS

Maxxit powder coat finishes offer superior chemical, scratch and UV resistance, they do not emit VOC's and are available in a broad range of textures, glosses and specialty looks.

Powder Coated Paint Finishes (Interior & Exterior) Formaldehyde-Free



Custom Colors



Custom colors available



PROTERO DESIGNS

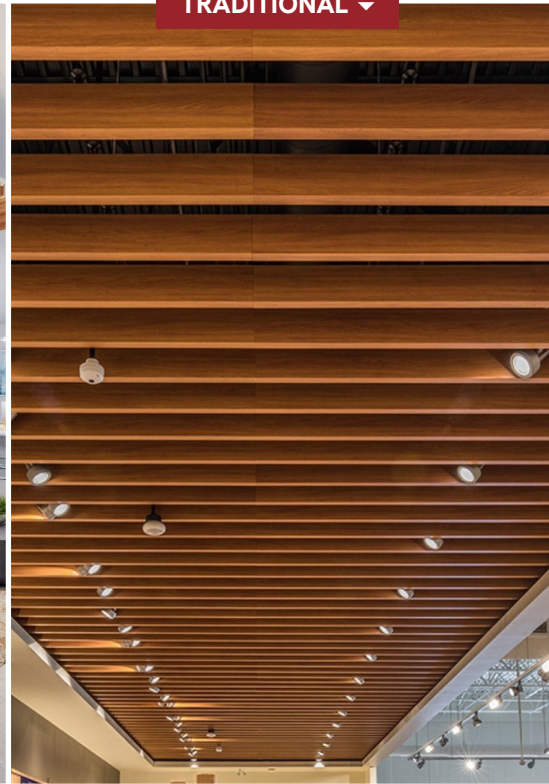
NETWORKS ▾



ELEVATIONS ▾



TRADITIONAL ▾



WALL SLATS ▲



PARTITIONS ▲



CONTOUR ▲

DESIGN REALIZED

From the familiar to the truly one of a kind, Maxxit brings your design vision to life. With ceilings and walls crafted from Wood, Felt, Metal, Composites & more there is no limit to what we can create together.

