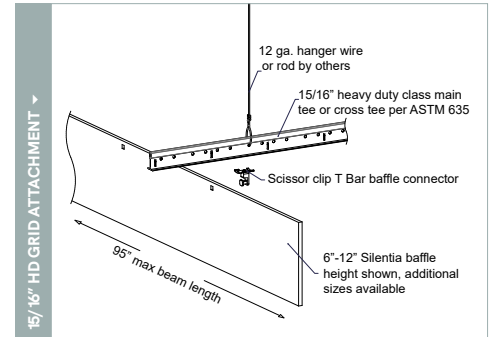
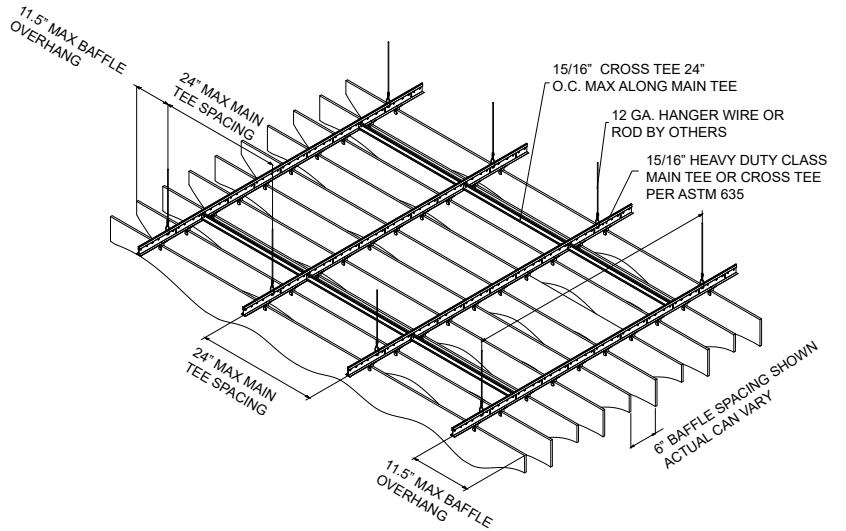


Silentia Dimensional Contour can be cut into virtually unlimited shapes, creating dramatic designs from soft waves to sloping angles.

MAIN ASSEMBLY



PHYSICAL DATA

- Material - (PET) polyester felt
- Felt thickness - 9MM, 3/8"
- Fire Performance - ASTM E84, Class A. CAN/ULC - S102.2
- Acoustics - NRC = 0.85 per ISO 11654
- Weight - .20 - .33 lbs./ln.ft.
- Warranty - One Year Limited
- Variation - With all felt products color and texture may vary from order to order; adequate attic stock should be ordered.
- Seismic areas - Silentia has been engineered for use in all seismic areas. Check with local code officials or a licensed engineer for additional requirements.
- Applications
 - ▶ Silentia is not approved for exterior application
 - ▶ Do not install near sources of heat greater than 158° F

SUSTAINABILITY

CONTRIBUTES TO LEED® POINTS -

- LEED BD+C: New Construction v4
 - ▶ MR: Recycled Content
- LEED BD+C: Schools v4
 - ▶ EQ: Acoustic Performance
- Recycled Content - up to 60% Pre-Consumer Polyester Felt

LEED® is a registered trademark of the U.S. Green Building Council

FEATURES

- Create soft, warm and tranquil spaces
- 3/8" width delivers a clean linear look
- 34 'Quick Ship' colors to choose from
- Custom sizes & shapes - At Maxxit custom is what we do best. We will make any shape or size you can design
- Standard sizes - in addition to custom we also have standard products available made to order in 1/4" increments
 - ▶ Lengths - up to 8'
 - ▶ Depths - up to 48"
 - ▶ Width - 3/8"
- Lightweight, pre-assembled & easy to install
- Versatile attachment options for Unistrut® 15/16" HD Grid and Cable hung applications
- Easy plenum access - attachment hardware allows baffles to unhook for easy plenum access and adjustment during installation
- Cleanable using CDC recommended and EPA-approved disinfectants for fog, spray & wipe

COLOR SELECTION

34 Quick Ship Colors



Woodgrain Options





SILENTIA DIMENSIONAL DESIGNS

CLOUDS ▾



TRADITIONAL ▾



CONTOUR ▾



WALL ART ▲



PARTITIONS ▲



NETWORKS ▲

DESIGN REALIZED

From the familiar to the truly one of a kind, Maxxit brings your design vision to life. With ceilings and walls crafted from Wood, Felt, Metal, Composites & more there is no limit to what we can create together.

