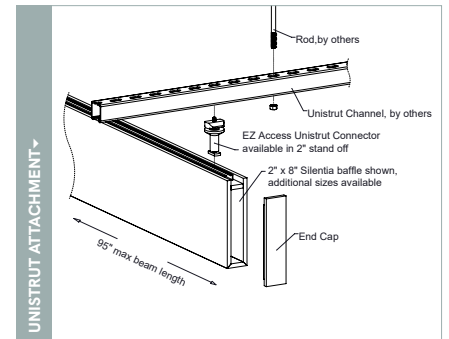
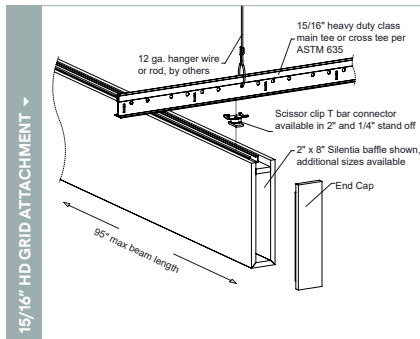
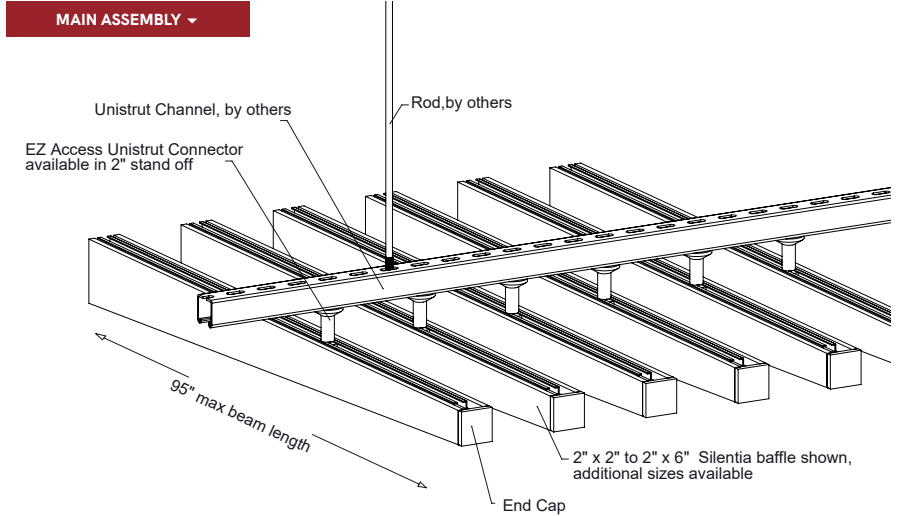




Silentia Profile Angle offers subtle movement and clean linear aesthetics, delivering distinctive design in small and mid size spaces.



PHYSICAL DATA

- Material - (PET) polyester felt in a fabricated profile with an aluminum channel
- Felt thickness - 9MM, 3/8" nominal
- Fire Performance - ASTM E84, Class A. CAN/ULC - S102.2
- Weight - .69 - 1.17 lbs./ln.ft.
- Warranty - One Year Limited
- Variation - With all felt products color and texture may vary from order to order; adequate attic stock should be ordered.
- Seismic areas - Silentia has been engineered for use in all seismic areas. Check with local code officials or a licensed engineer for additional requirements.
- Acoustics - NRC = 0.85 per ISO 11654
- Applications
 - ▶ Silentia is not approved for exterior application
 - ▶ Do not install near sources of heat greater than 158° F

SUSTAINABILITY

CONTRIBUTES TO LEED® POINTS -

- LEED BD+C: New Construction v4
 - ▶ MR: Recycled Content
- LEED BD+C: Schools v4
 - ▶ EQ: Acoustic Performance
- Recycled Content - up to 60% Pre-Consumer Polyester Felt

LEED® is a registered trademark of the U.S. Green Building Council

FEATURES

- Create soft, warm and tranquil spaces
- Bold impact profile design
- 34 'Quick Ship' colors to choose from
- Custom sizes & shapes - At Maxxit custom is what we do best. We will make any shape or size you can design
- Standard sizes - in addition to custom we also have standard products available made to order in 1/4" increments
 - ▶ Lengths - up to 8'
 - ▶ Depths - up to 12"
 - ▶ Width - 1.5", 2" (Minimum width = 1.5")
- Lightweight, pre-assembled & easy to install
- Versatile attachment options for Unistrut®, 15/16" HD Grid and Cable hung applications
- Easy plenum access - attachment hardware allows baffles to slide for easy plenum access and adjustment during installation
- Cleanable using CDC recommended and EPA-approved disinfectants for fog, spray & wipe
- Available in a virtually unlimited variety of baffle and beam designs

COLOR SELECTION

34 Quick Ship Colors



Pumpkin



Maroon



Pear



Lime



Green



Salmon



Lemon



Yellow



Red



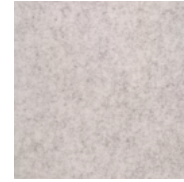
Berry



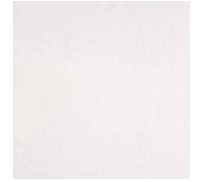
Sand



Oat



Alabaster



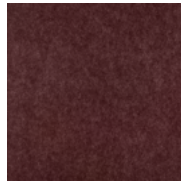
White



Periwinkle



Teal



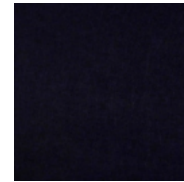
Hickory



Brown



Dark Brown



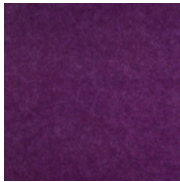
Blue Jean



Pink



Plum



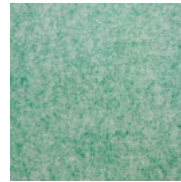
Violet



Purple



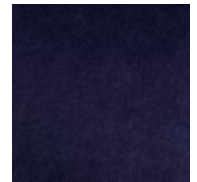
Orange



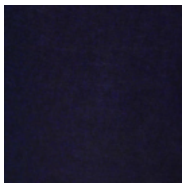
Leaf Green



Dew



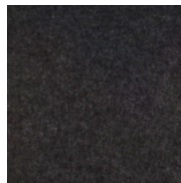
Navy



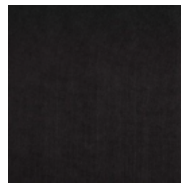
Deep Blue



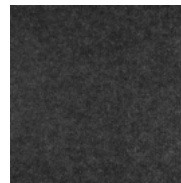
Stone



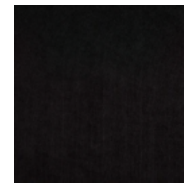
Grey



Charcoal



Pepper



Black

Woodgrain Options



Walnut



Red Oak



Natural Maple



White Oak



Weathered Grey

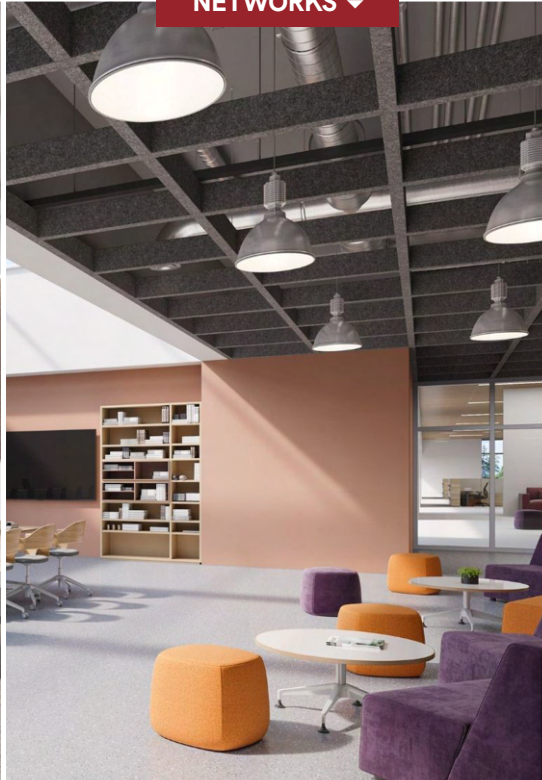


SILENTIA PROFILE DESIGNS

ELEVATIONS ▾



NETWORKS ▾



TRADITIONAL ▾



ANGLE ▲



SHUFFLE ▲

DESIGN REALIZED

From the familiar to the truly one of a kind, Maxxit brings your design vision to life. With ceilings and walls crafted from Wood, Felt, Metal, Composites & more there is no limit to what we can create together.

