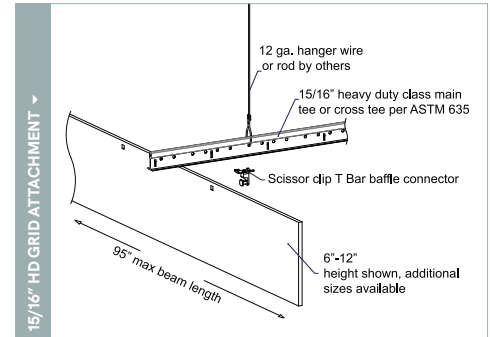
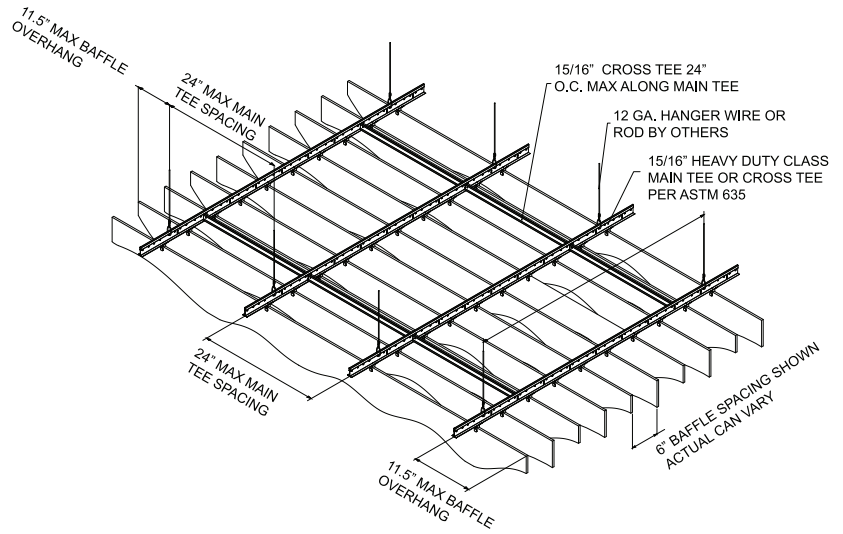




Wave Baffles can be cut into virtually unlimited shapes, creating dramatic designs from soft waves to sloping angles.

MAIN ASSEMBLY



PHYSICAL DATA

- Material - (PET) polyester felt
- Felt thickness - 9MM, 3/8" nominal; 12MM, 1/5" nominal
- Fire Performance- ASTM E84, Class A. CAN/ULC - S102.2
- Acoustics - NRC depends on baffle size and spacing. Baffles spaced closely together can achieve higher NRC.
- Weight - .20 - .33 lbs./ln.ft.
- Warranty - One Year Limited
- Variation - With all felt products color and texture may vary from order to order; adequate attic stock should be ordered.
- Seismic areas - Wave Baffles have been engineered for use in all seismic areas. Check with local code officials or a licensed engineer for additional requirements.
- Applications
 - ▶ Wave Baffles are not approved for exterior application
 - ▶ Do not install near sources of heat greater than 158° F

SUSTAINABILITY

LEED CONTRIBUTION -

- BD+C v4 (MR: Product Disclosure, Recycled Content).
- Schools EQ: Acoustic Performance.
- Up to 60% post-consumer PET felt.
- No VOCs.
- EPD & GREENGUARD Gold certified.

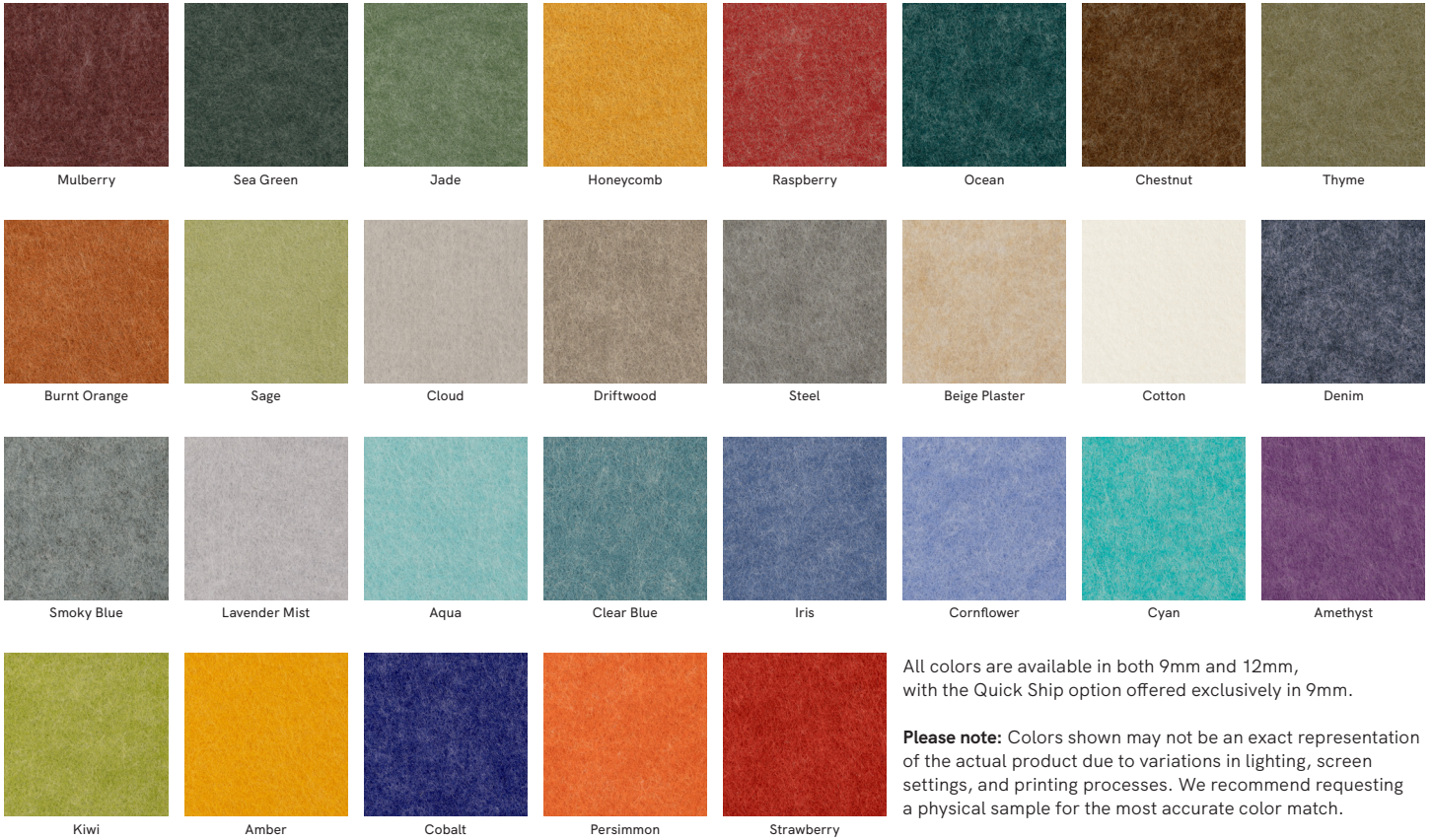
LEED® is a registered trademark of the U.S. Green Building Council

FEATURES

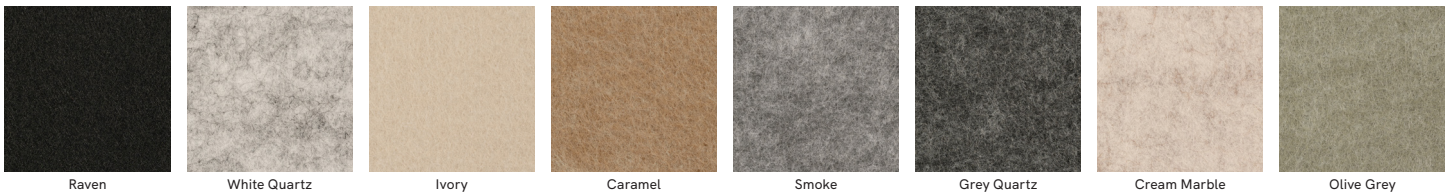
- Create soft, warm and tranquil spaces.
- 37 standard colors to choose from; 8 'Quick Ship'.
- Custom sizes & shapes - At Maxxit custom is what we do best. We will make any shape or size you can design.
- Standard sizes - in addition to custom we also have standard products available made to order in 1/4" increments.
 - ▶ Lengths - up to 8'
 - ▶ Depths - up to 48"
 - ▶ Width - 3/8"
- Lightweight, pre-assembled & easy to install.
- Versatile attachment options for Unistrut® 15/16" HD Grid and Cable hung applications.
- Easy plenum access - attachment hardware allows baffles to unhook for easy plenum access and adjustment during installation.
- Cleanable using CDC recommended and EPA-approved disinfectants for fog, spray & wipe.

COLOR SELECTION

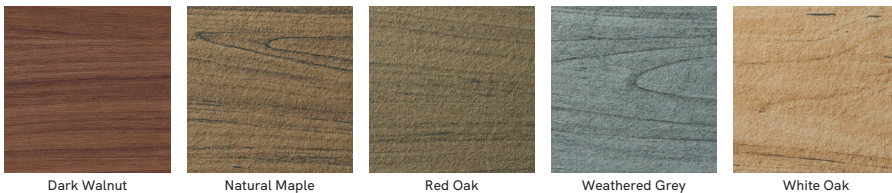
Standard Colors



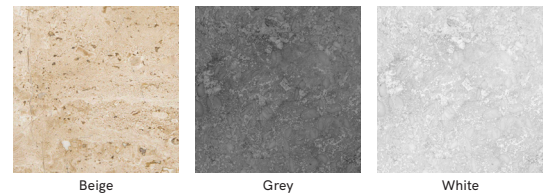
Standard Colors - Quick Ship



Woodgrain Print Options



Limestone Print Options



Printed designs are available in single- or double-sided configurations, with exposed edges finished in a solid-colored felt.



LINE:Form™ DESIGNS

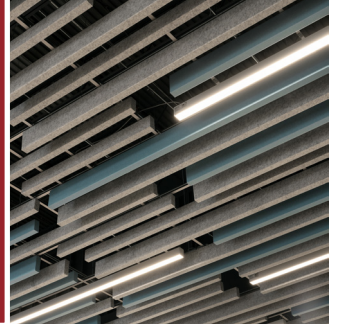
ANGLE BAFFLES
Felt, Profile



ANGLE BAFFLES
Metal



ELEVATIONS BAFFLES
Felt



ELEVATIONS BAFFLES
Metal



EXTERIOR WALL FINNS



LINEAR PLANKS
Metal



PARTITIONS



TRADITIONAL BAFFLES
Extruded Metal



TRADITIONAL BAFFLES
Fabricated Metal



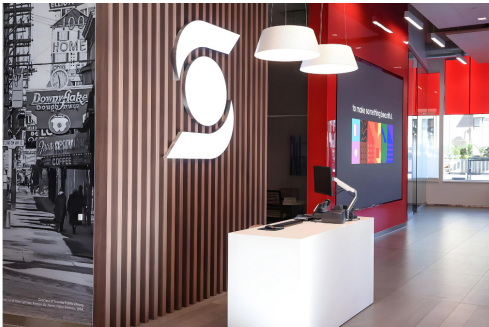
TRADITIONAL BAFFLES
Felt, Blade



TRADITIONAL BAFFLES
Felt, Profile



WALL FINNS

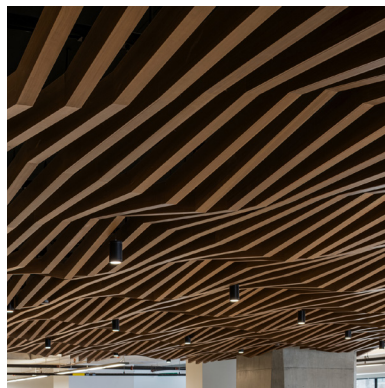


WAVE BAFFLES



WHERE CREATIVE ENGINEERING MEETS ARCHITECTURAL VISION

At Maxxit, we combine creative engineering, advanced manufacturing, and close collaboration to help architects and designers bring bold ideas to life. From standard to custom solutions, we turn imagination into precision-built reality.



Co:LAB Studio

Our custom design service empowers architects and designers to realize unique visions through tailored solutions, material innovation, and expert collaboration — turning bold ideas into architectural realities.