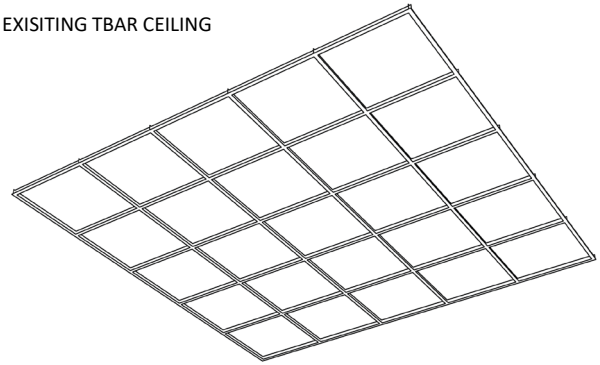


Mozaix™ metal ceiling system - Installation Instructions

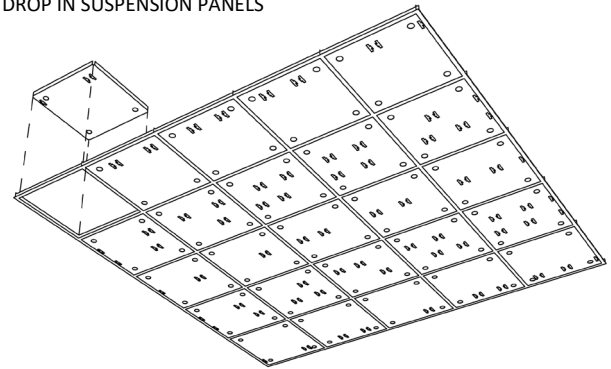
General Information

- Mozaix™ Decorative Panels are horizontal, fabricated aluminum panels made from .041" - .060" thick aluminum sheet, design dependent.
- Mozaix™ Suspension Panels are horizontal, fabricated steel panels made from galvanized steel sheet.
- Follow supplied Reflected Ceiling Plan (RCP). Suspension Panels have one corner marked for orientation and row and column position. Follow the RCP to match Decorative Panel torsion springs to corresponding points in Suspension Panels.
- These ceilings are offered in Weave, Double Weave, Hex Weave, Interlock, Herringbone, Stacked, Arrow and Shift styles. See the product data pages for dimensions and details of each style.
- Mozaix™ ceiling panels are designed to be installed with industry standard T-Bar grids (heavy duty 15/16" grid and most standard T-bar systems)
- Metal Ceilings are engineered for use in seismic areas when installed in accordance with local code requirements.

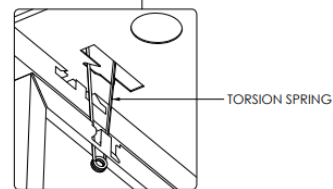
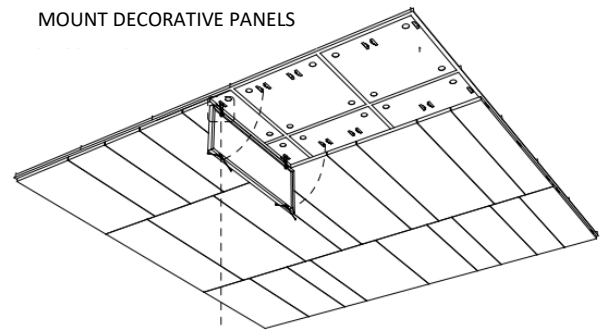
EXISTING TBAR CEILING



DROP IN SUSPENSION PANELS



MOUNT DECORATIVE PANELS



Mozaix™ metal ceiling system - Installation Instructions

Site Conditions

- Panels not to be used in exterior applications or high moisture environments where water comes in direct contact with the baffle.
- Install only after spaces are enclosed and weather-tight, and after all wet work and overhead work have been completed.

Storage & Handling

- Do not store or install near an exposed flame, source of heat, or source of ignition.
- Store horizontally in the original carton in a dry, interior space. Clean gloves must be used to avoid fingerprints.

Fire Performance

- Mozaix™ is manufactured to meet ASTM E-84 Class 1 or A fire retardancy. Panels may interfere with fire sprinkler or fire detection system. Consult a fire protection engineer, NFPA 13, and their local code official for guidance on the proper installation.

Warranty

A 1-year limited warranty is available. Please consult www.maxxitgroup.com for details.

Colors

- Mozaix™ is made with a factory-applied polyester paint. Available in Standard Colors, Color Matched and Wood Look powder-coated.

Cutting Panels

- Mozaix™ panels are made of aluminum/steel that can be cut with commonly available tools.
- Cut the panels using standard wood working tools and, where possible, a straight edge. A table saw is recommended for straight cuts and a band saw for curved cuts. In general, these practices will be typical of those employed in finish carpentry.
- Circular saws should use a multi-purpose blade. For best finished cut quality use a straight edge guide and

maintain a constant feed rate. Stop the blade motion before backing the saw out of the cut.

Installation on 15/16" heavy-duty grid.

Before installing please note:

- Maximum main tee spacing is 48"
- Maximum hanger wire spacing on main tee is 48"
- 15/16" cross tee should not exceed 24" spacing.
- Make sure that the whole system is straight and correctly leveled.

MEP Integrations

- Mechanical fixtures such as lights and sprinklers can be installed at the suspension system height, flush with the bottom of the panels. Fixture weight must not be supported by the panels or HD grid suspension.

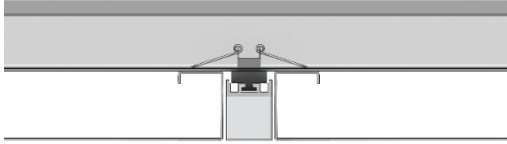
- **Linear Light Integration**

Maxxit supplied linear lights are positioned flush in between Decorative Panels and secured with spring clips. Insert spring clips and wires through pre-punched holes in the Suspension Panels.

- Requires Remote T-BAR Driver Mounting Plate.



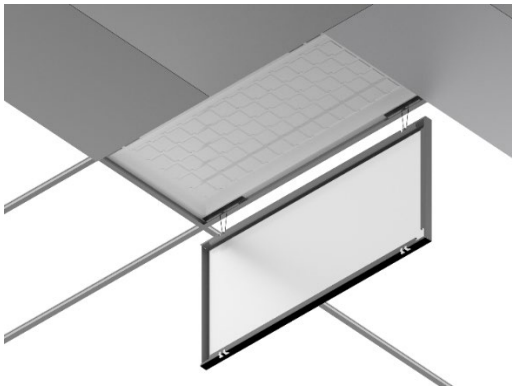
Mozaix™ metal ceiling system - Installation Instructions



- **Flat Panel Light Integration**

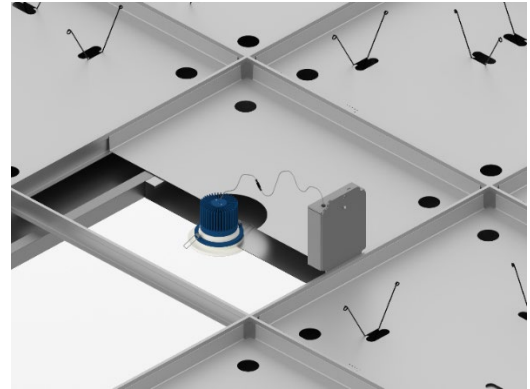
Mozaix™ can accommodate various sizes of Flat Panel Light troffers (design dependent)

- Confirm there is adequate space above the grid for proper installation of the troffer.
- Note that minor shadow banding may be visible when looking directly at the fixture.



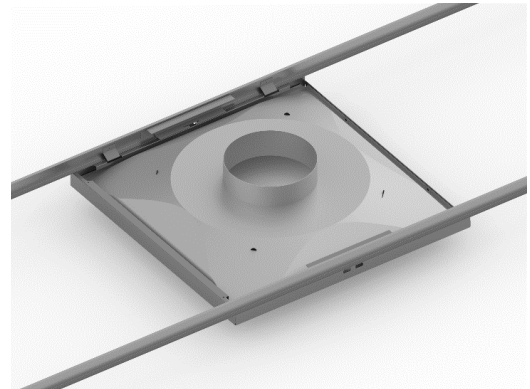
- **Pot Light Integration**

- Insert spring clips and wires through pre-punched holes in the Decorative Panels.
- Requires Remote T-BAR Driver Mounting Plate.
- Adhere to size and weight restrictions for the lighting fixtures.
- Overweight items may need fixed panels or T-BAR mounting brackets, restricting downward access.



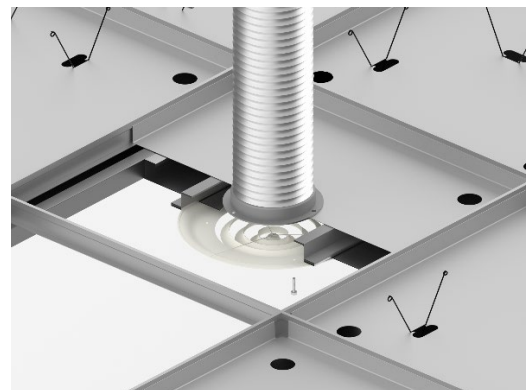
- **HVAC Integration (Square)**

- Avoid interference with elements above the grid.
- Use torsion spring attachments supplied. Panels require security clips (supplied).



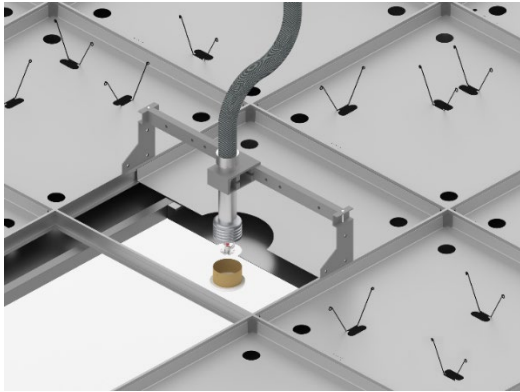
- **HVAC Integration (Round)**

- Avoid interference with elements above the grid.



Mozaix™ metal ceiling system - Installation Instructions

- Sprinkler Integration
 - Use supplied attachment hardware to accommodate integration with Mozaix™ design.



Before installing, please note.

In addition to these instructions please refer to the publications referenced below for full details on industry accepted practices and requirements.

- CISCA "Ceiling Systems Handbook"
- Standard for Ceiling Suspension System Installations - ASTM C 636
- Standard for Ceiling Suspension Systems Requiring Seismic Restraint - ASTM E 580
- IBC (International Building Code) Standard for Seismic Zone for local area.

Care & Maintenance

Proper preparation and cleaning can help to maintain the panels' original appearance. Before installation, remove any dirt and debris from the surrounding area. Metal panels, especially those with the Anodized Aluminum finish, may arrive at the job site with a protective PVC film applied to the surface. This film should be removed prior to panel installation; simply peel up at one corner and pull away from the panel face. Do not leave film attached to panels for more than 90 days as it will become increasingly difficult to remove. Wipe panels with a clean, soft cloth to remove dust. For more difficult residue, wash panels with

a mild soap or detergent (see Compatible Cleaners below) and lukewarm water, using a clean sponge or soft cloth. Rinse well with clean water. Dry thoroughly with a chamois or moist cellulose sponge to prevent water spots. Do not scrub or use brushes. To remove fresh paint splashes, grease or smeared glazing compounds, rub panels lightly with VM&P naphtha or isopropyl alcohol. Wash with warm water and a mild soap or detergent solution. Rinse thoroughly with clean water and dry. Important: Use care when cleaning perforated panels with an acoustical backer laminated to the back surface. This backer must not be immersed in or saturated with water. Harsh solvents such as methyl ethyl ketone (MEK) or muriatic acid can cause surface degradation and crazing. Use only the following mild cleaning agents: • Joy® dishwashing detergent • Palmolive® dishwashing liquid • Windex® glass cleaner Follow the manufacturer's instructions and recommendations when using these products. • Do not use abrasive or highly alkaline cleaners. • Do not scrape panels with squeegees, razor blades or other sharp instruments. • Do not use benzene, gasoline, acetone, carbon tetrachloride or butyl cellosolve.

For addition question or assistance

Please contact us at: www.maxxitgroup.com