

Protero Beams & Baffles - Installation Instructions

Products covered in this Installation Guide: Protero Traditional Baffles, Partitions, Elevations Baffles & Walls Slats, Trilateral Networks.

General Information

- Protero beams & baffles are vertical & horizontal, aluminum profiles made from .100" thick aluminum extrusions.
- These ceilings, wall slats and partitions are offered in rectangular, and custom shapes. See the product data page for dimensions of each type.
- Protero beams & baffles are designed to be installed with heavy duty 15/16" grid, Unistrut or suspended from structure with cable. Additional attachments available for wall and partition applications.
- Metal Ceilings are engineered for use in seismic areas when installed in accordance with local code requirements.

Site Conditions

- Protero can be used in exterior applications. Consult Maxxit for full requirements.
- Install only after spaces are enclosed and weather-tight, and after all wet work and overhead work have been completed.

Storage & Handling

- Do not store or install near an exposed flame, source of heat, or source of ignition.
- Store horizontally in the original carton in a dry, interior space. Clean gloves must be used to avoid fingerprints. When removed for install, the vertical panels should be stored in a flat, horizontal position.
- Recommended that two people install each 8' baffle.

Fire Performance

- Protero is manufactured to meet ASTM E-84 Class 1 or A fire retardancy. Baffles may interfere with fire sprinkler or fire detection system. Consult a fire protection engineer, NFPA 13, and their local code official for guidance on the proper installation.

Warranty

- A 1-year limited warranty is available. Please consult www.maxxitgroup.com for details.

Colors

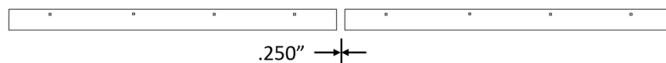
- Protero is made with a factory-applied polyester paint. Available in Standard Colors, Color Matched and Wood Look powder-coated.
- To maximize visual consistency, baffles should be unpacked and examined collectively to determine the most desirable arrangement for installation.

Cutting Baffles

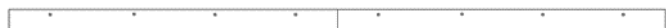
- Protero baffles are made of aluminum that can be cut with commonly available tools.
- Cut the baffle using standard wood working tools and, where possible, a straight edge. A table saw is recommended for straight cuts and a band saw for curved cuts. In general, these practices will be typical of those employed in finish carpentry.
- Circular saws should use a multi-purpose blade. For best finished cut quality use a straight edge guide and maintain a constant feed rate. Stop the blade motion before backing the saw out of the cut.

Design

- Baffles can be installed with a 1/4" gap between ends for a clean visual.



- Baffles can be joined with a spline for a continuous appearance. Consult Maxxit for details.



Protero Beams & Baffles - Installation Instructions

Installation on 15/16" heavy-duty grid.

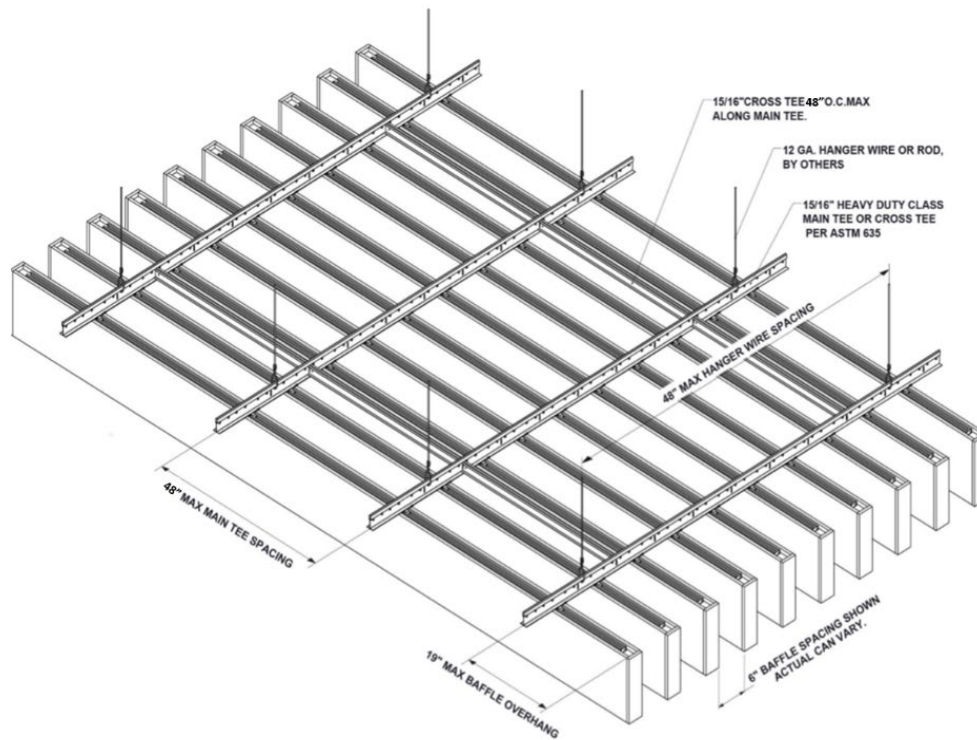
Before installing please note:

- Maximum main tee spacing is 48"
- Maximum hanger wire spacing on main tee is 48"
- 15/16" cross tee should not exceed 24" spacing.
- Maximum baffle overhang should not exceed 19" from the ends.
- Make sure that the whole system is straight and correctly leveled.
- Baffles require at least two (2) connection points per baffle.

Installation on Unistrut (not shown)

Before installing please note:

- Maximum Unistrut spacing is 48"
- Maximum hanger wire spacing on Unistrut is 48"
- Maximum baffle overhang should not exceed 19" from the ends.
- Make sure that the whole system is straight and correctly leveled.
- Baffles require at least two (2) connection points per baffle.

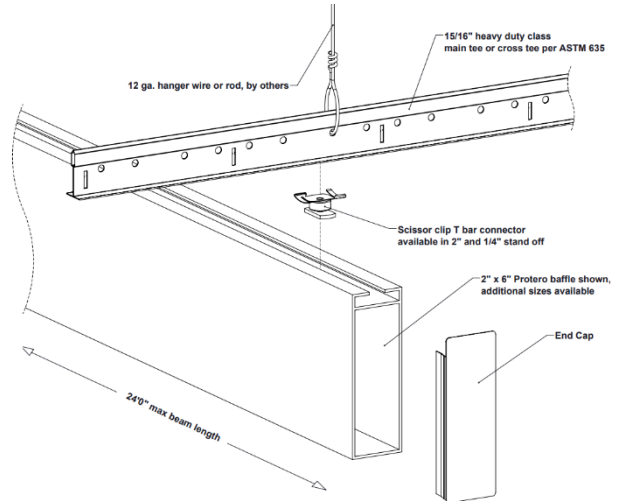


If the need arises baffles can be cut to size without sacrificing aesthetics or performance. End caps can be purchased separately and easily attached.

Protero Beams & Baffles - Installation Instructions

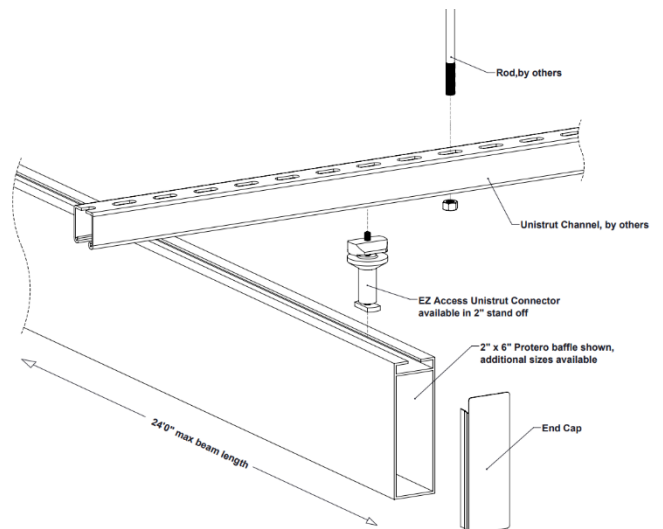
Connecting baffles to 15/16" Heavy Duty Grid

- Insert scissor clip into aluminum baffle channel, slide to desired location and hand tighten nut.
- Align baffle and scissor clip with the desired position on the 15/16' HD main or cross tee and rotate scissor clip attachment until fully engaged.
- Scissor clips enable easy adjustment during installation and easy plenum access.



Connecting baffles to Unistrut

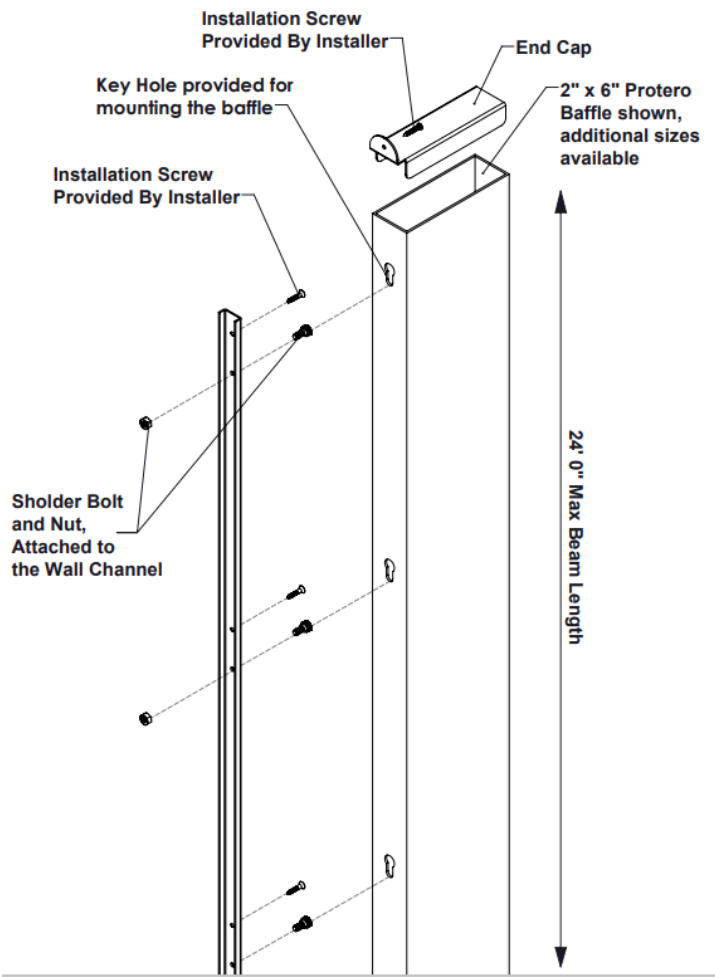
- Insert Unistrut connector in aluminum baffle channel, slide connector to the desired location and hand tighten 2" cylinder.
- Align baffle and unistrut connectors with unistrut channels, insert top of connector into channel. Slide to desired location and hand tighten with circular disc.
- A Unistrut connector is also available that can be inserted directly into the unistrut channel from below and then tightened.
- Unistrut connector lets you leave baffles in place for adjustments during installation and slide for easy plenum access.



Protero Beams & Baffles - Installation Instructions

Versatile Protero beams & baffles can be configured into a wide variety of stunning ceiling & wall designs.

Protero -Wall Slats



MEP Integrations

- Mechanical fixtures such as lights and sprinklers can be installed at the suspension system height, flush with the bottom of the baffles, or below the bottom of the baffle. Fixture weight must not be supported by the felt baffles or HD grid suspension.

Before installing, please note.

In addition to these instructions please refer to the publications referenced below for full details on industry accepted practices and requirements.

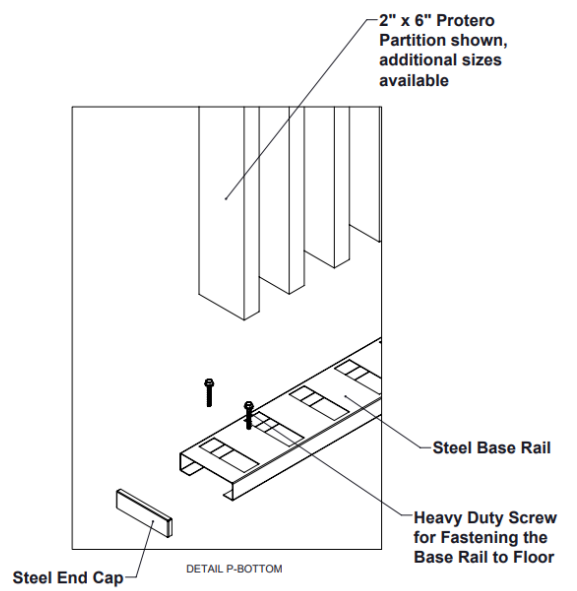
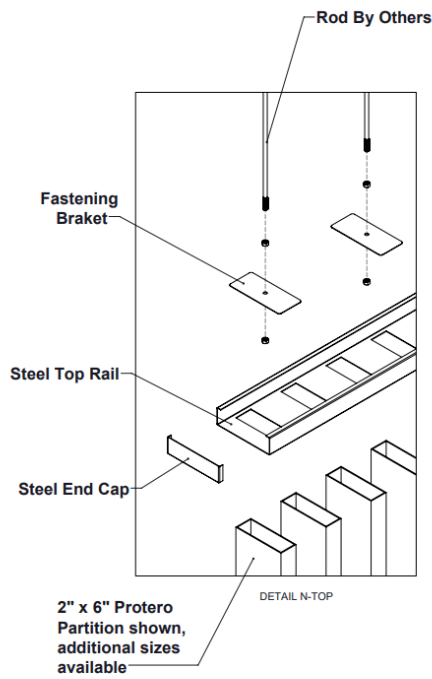
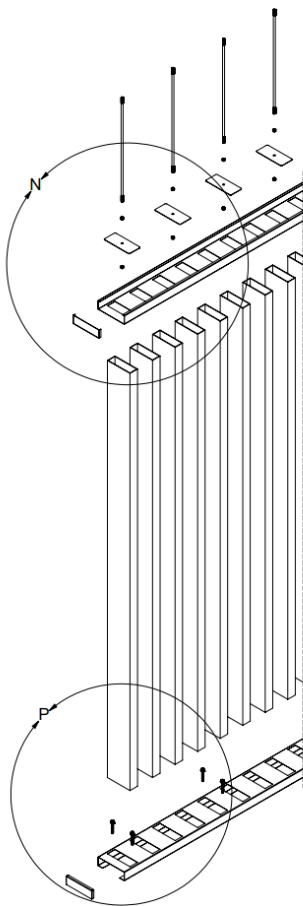
- CISCA "Ceiling Systems Handbook"
- Standard for Ceiling Suspension System Installations - ASTM C 636
- Standard for Ceiling Suspension Systems Requiring Seismic Restraint - ASTM E 580
- IBC (International Building Code) Standard for Seismic Zone for local area.

Protero Beams & Baffles - Installation Instructions

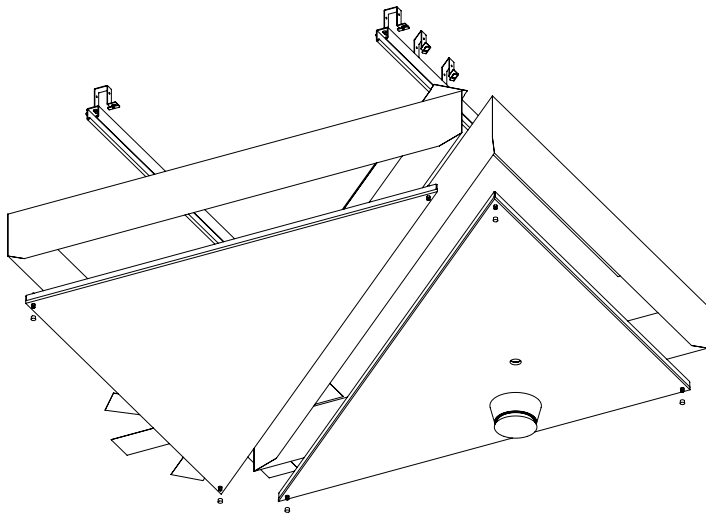
Protero – Partitions (Fixed Position)

Also available in:

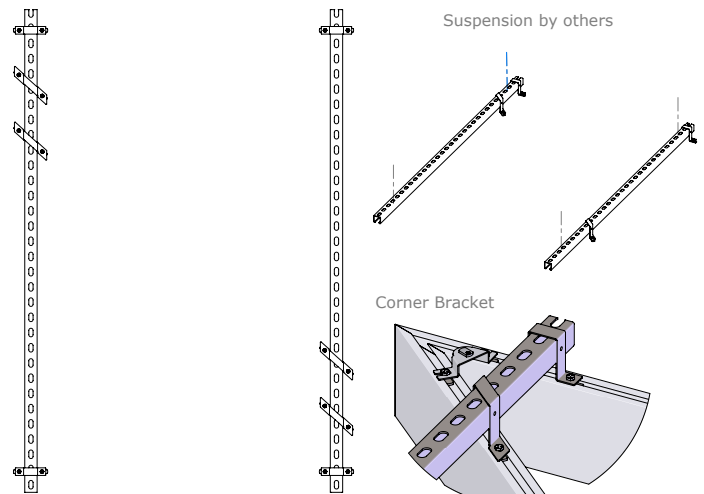
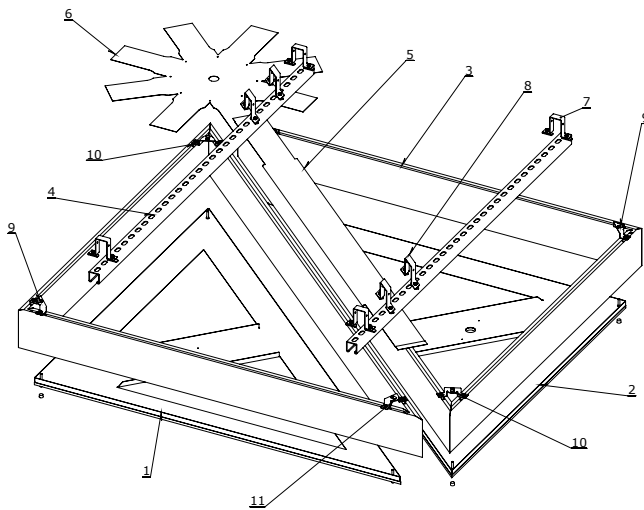
Louvered (Operational - Open, Closed & Partial Positions)



Protero – Trilateral Networks



ITEM NO.	DESCRIPTION	QTY
1	Panel Assembly	1
2	Panel Assembly - Light	1
3	Aluminum Triangle	2
4	1.625" Strut Rail	2
5	Linear Plate Long	1
6	Centre plate	1
7	Straight Saddle Bracket	4
8	Angle Saddle Bracket	4
9	Corner Bracket 90°	2
10	Corner Bracket 48°	2
11	Corner Bracket 42°	2



BRACKET PLAN

Toggle Bolt

Note: due to the 42/48 Degree angles in these triangles, the saddle bracket can only be used in one direction. Its recommended to dry fit the whole assembly before attempting to install the assembly on the ceiling.

1. Suspend Strut Rail with 3/8" threaded rod or 9Ga. galvanized wire. Keep suspension points in the safe areas to avoid interference with saddle brackets
2. Locate 2 straight and 2 Angle saddle brackets over Strut Rail. Refer to Bracket plan.
3. Panel & Extrusion Assembly
 - a. Remove the plugs from the holes
 - b. Use a 1/8" Hex key to remove the panel from Corner Brackets
 - c. Leave the 3 corner brackets attached to Extrusion
4. Lift up Extrusion Assembly to underside of Strut Rail
 - a. Drop the toggle bolts (2 per bracket) into the channel of the extrusion and clamp the bracket to the top of the extrusion.
5. Repeat 1-5 for second triangle
6. Align the 2 triangles so there is 5.5" between the 2 longest sides
 - a. Insert linear plate
 - b. Slide triangles together
 - c. Drop plate flanges into top channels of extrusions
 - d. #10 Clearance holes provided to lock triangles into Strut Rail
7. Circular plate provided for reference only
 - a. Can be installed only after 4 neighbouring triangles have been installed.
 - b. #6 Clearance holes provided to attach to top of extrusions.
8. Reinstall Panel Assemblies
 - a. Use a 1/8" Hex key to attach the panel to the corner brackets

For addition question or assistance

Please contact us at: www.maxxitgroup.com